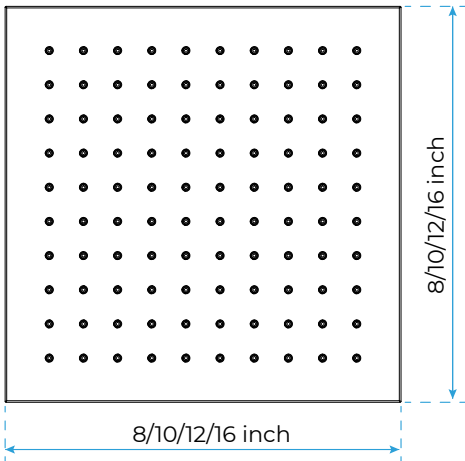


CONCEALED GOLD PLATE SQUARE RAIN SHOWER HEAD SPECIFICATIONS



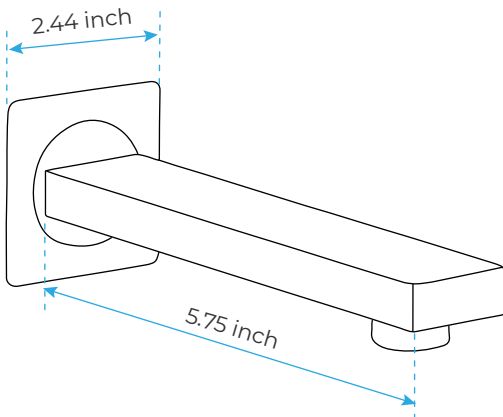
Cold/Hot Water Control Type: Single Holder Dual Control
 Valve Core Material: Ceramic
 Installation Type: Wall Mounted
 Surface Treatment: Gold
 Type: Bath & Shower Faucets, Shower Faucet
 Number of Handles: Single Handle
 Bath & Shower Faucet Type: Exposed Shower Faucets
 Surface Finish: Gold
 Shower head Material: Brass
 Shower head diameter: 8/10/12/16 inches
 Water pressure: 0.8mpa
 Flow Rate: 1.8 GPM (6.8 L/min)

Shower Head

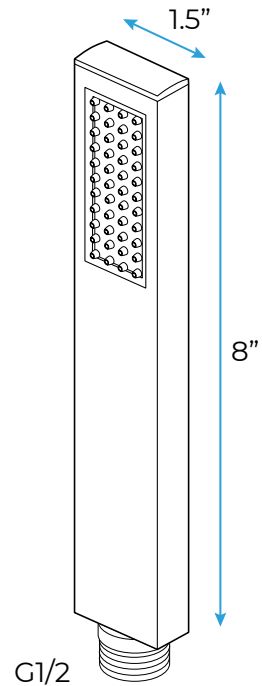


1/2" NPT inlets
 Easy clean nozzles
 Flow Rate: 9.5L/min 2.5 GPM

Spout



Hand Shower



Flow Rate: 2.0 GPM / 7.6 LPM

All dimensions and specifications are nominal and may vary. Use actual products for accuracy in critical situations.